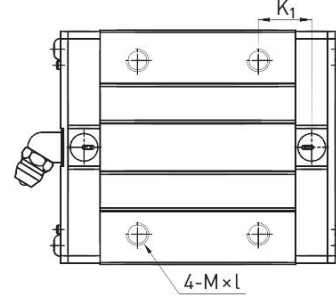
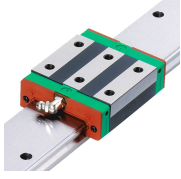
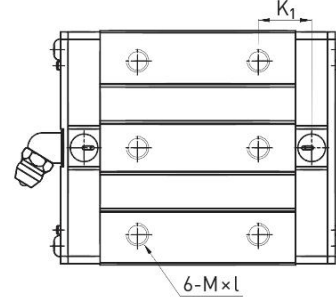
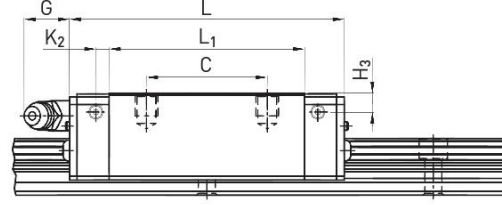
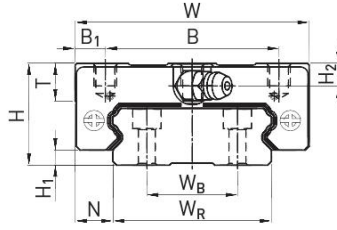


## WE serisi

WEHCA  
Dar BloklarWE\_17  
WE/QW\_21WE/QW\_27  
WE/QW\_35  
WE\_50

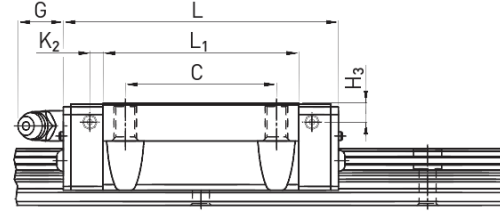
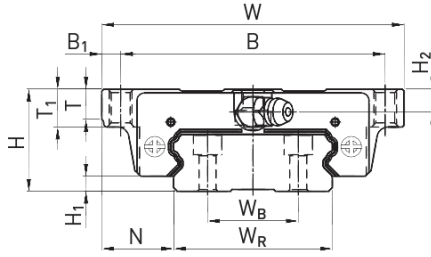
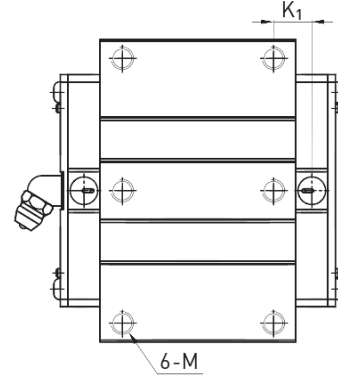
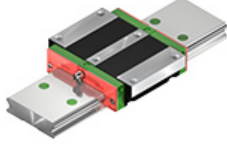
## Dimensions of the block

| Series/<br>size | Installation<br>dimensions [mm] |                |      | Dimensions of the block [mm] |       |                |    |                |       |                |                |      |          |      |                |                | Load ratings [N] |                | Weight<br>[kg] |
|-----------------|---------------------------------|----------------|------|------------------------------|-------|----------------|----|----------------|-------|----------------|----------------|------|----------|------|----------------|----------------|------------------|----------------|----------------|
|                 | H                               | H <sub>1</sub> | N    | W                            | B     | B <sub>1</sub> | C  | L <sub>1</sub> | L     | K <sub>1</sub> | K <sub>2</sub> | G    | M × l    | T    | H <sub>2</sub> | H <sub>3</sub> | C <sub>dyn</sub> | C <sub>0</sub> |                |
| WEH17CA         | 17                              | 2,5            | 8,5  | 50                           | 29,0  | 10,5           | 15 | 35,0           | 50,6  | —              | 3,10           | 4,9  | M4 × 5   | 6,0  | 4,00           | 3,0            | 5230             | 9640           | 0,12           |
| WEH21CA         | 21                              | 3,0            | 8,5  | 54                           | 31,0  | 11,5           | 19 | 41,7           | 59,0  | 14,68          | 3,65           | 12,0 | M5 × 6   | 8,0  | 4,50           | 4,2            | 7210             | 13700          | 0,20           |
| WEH27CA         | 27                              | 4,0            | 10,0 | 62                           | 46,0  | 8,0            | 32 | 51,8           | 72,8  | 14,15          | 3,50           | 12,0 | M6 × 6   | 10,0 | 6,00           | 5,0            | 12400            | 21600          | 0,35           |
| WEH35CA         | 35                              | 4,0            | 15,5 | 100                          | 76,0  | 12,0           | 50 | 77,6           | 102,6 | 18,35          | 5,25           | 12,0 | M8 × 8   | 13,0 | 8,00           | 6,5            | 29800            | 49400          | 1,10           |
| WEH50CA         | 50                              | 7,5            | 20,0 | 130                          | 100,0 | 15,0           | 65 | 112,0          | 140,0 | 28,05          | 6,00           | 12,9 | M10 × 15 | 19,5 | 12,00          | 10,5           | 61520            | 97000          | 3,16           |

## WE serisi

## WEWCA

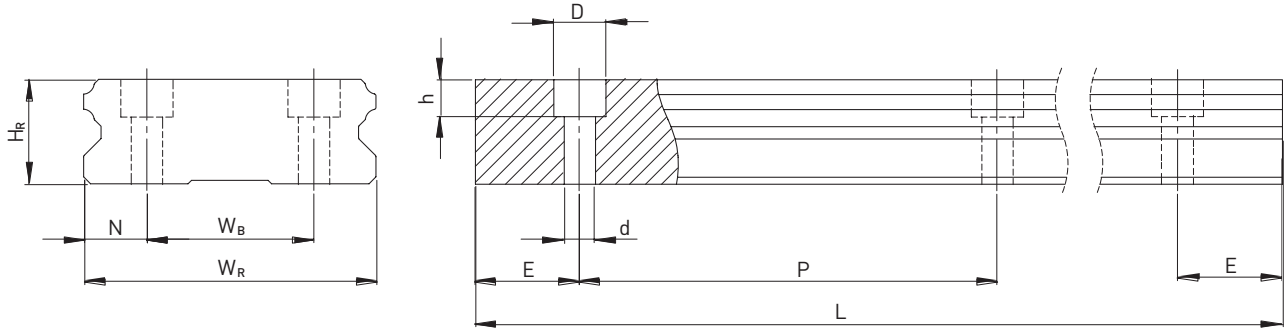
## Geni Bloklar



## Dimensions of the block

| Series/<br>size | Installation<br>dimensions [mm] |                |      | Dimensions of the block [mm] |       |                |    |                |       |                |                |      |     |      |                |                |                | Load Ratings<br>[N] |                | Weight<br>[kg] |
|-----------------|---------------------------------|----------------|------|------------------------------|-------|----------------|----|----------------|-------|----------------|----------------|------|-----|------|----------------|----------------|----------------|---------------------|----------------|----------------|
|                 | H                               | H <sub>1</sub> | N    | W                            | B     | B <sub>1</sub> | C  | L <sub>1</sub> | L     | K <sub>1</sub> | K <sub>2</sub> | G    | M   | T    | T <sub>1</sub> | H <sub>2</sub> | H <sub>3</sub> | C <sub>dyn</sub>    | C <sub>0</sub> |                |
| WEW17CC         | 17                              | 2,5            | 13,5 | 60                           | 53,0  | 3,5            | 26 | 35,0           | 50,6  | —              | 3,10           | 4,9  | M4  | 5,3  | 6,0            | 4,00           | 3,0            | 5230                | 9640           | 0,13           |
| WEW21CC         | 21                              | 3,0            | 15,5 | 68                           | 60,0  | 4,0            | 29 | 41,7           | 59,0  | 9,68           | 3,65           | 12,0 | M5  | 7,3  | 8,0            | 4,50           | 4,2            | 7210                | 13700          | 0,23           |
| WEW27CC         | 27                              | 4,0            | 19,0 | 80                           | 70,0  | 5,0            | 40 | 51,8           | 72,8  | 10,15          | 3,50           | 12,0 | M6  | 8,0  | 10,0           | 6,00           | 5,0            | 12400               | 21600          | 0,43           |
| WEW35CC         | 35                              | 4,0            | 25,5 | 120                          | 107,0 | 6,5            | 60 | 77,6           | 102,6 | 13,35          | 5,25           | 12,0 | M8  | 11,2 | 14,0           | 8,00           | 6,5            | 29800               | 49400          | 1,26           |
| WEW50CC         | 50                              | 7,5            | 36,0 | 162                          | 144,0 | 9,0            | 80 | 112,0          | 140,0 | 20,55          | 6,00           | 12,9 | M10 | 14,0 | 18,0           | 12,00          | 10,5           | 61520               | 97000          | 3,71           |

## WE Linear Yatak Ölçüleri



## Dimensions of rail WER\_R

| Series/<br>size | Assembly screw<br>for rail [mm] | Dimensions of the rail [mm] |                |                |      |      |     |      | Max. length<br>[mm] | E <sub>1/2</sub> min<br>[mm] | E <sub>1/2</sub> max<br>[mm] | Weight<br>[kg/m] |
|-----------------|---------------------------------|-----------------------------|----------------|----------------|------|------|-----|------|---------------------|------------------------------|------------------------------|------------------|
|                 |                                 | W <sub>R</sub>              | W <sub>B</sub> | H <sub>R</sub> | D    | h    | d   | P    |                     |                              |                              |                  |
| WER17R          | M4 × 12                         | 33                          | 18             | 9,3            | 7,5  | 5,3  | 4,5 | 40,0 | 4000                | 6                            | 34                           | 2,20             |
| WER21R          | M4 × 12                         | 37                          | 22             | 11,0           | 7,5  | 5,3  | 4,5 | 50,0 | 4000                | 6                            | 44                           | 3,00             |
| WER27R          | M4 × 16                         | 42                          | 24             | 15,0           | 7,5  | 5,3  | 4,5 | 60,0 | 4000                | 6                            | 54                           | 4,70             |
| WER35R          | M6 × 20                         | 69                          | 40             | 19,0           | 11,0 | 9,0  | 7,0 | 80,0 | 4000                | 8                            | 72                           | 9,70             |
| WER50R          | M8 × 25                         | 90                          | 60             | 24,0           | 14,0 | 12,0 | 9,0 | 80,0 | 4000                | 9                            | 71                           | 14,60            |